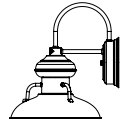




SPS-0572 REV B

LARAMIE LED WALL SCONCE

JOB NAME: _____ FIXTURE TYPE: _____

BLE - W - _____ - _____ - _____ - _____ - _____ - _____ - _____ - _____
A B C D E F G H

Order Example: BLE - W - LAR12 - 400 - NA - NA - LED16 - 2700K - DL - NA

A - SHADE SIZE**LARAMIE:**

- LAR12** 12" Shade
LAR16 16" Shade

B - SHADE FINISH**POWDER COAT FINISHES¹:**

- 100** Black
105 Textured Black
106 Matte Black
200 White
206 Matte White
300 Dark Green
307 Emerald Green
311 Jadite
370 Mint
380 Chartreuse
390 Teal
400 Barn Red
420 Orange
470 Watermelon
480 Blush Pink
490 Magenta
495 Sherbet Orange
500 Buttery Yellow
570 Sunflower
600 Bronze
601 Chocolate
605 Rust

B - SHADE FINISH (CONTINUED)**POWDER COAT FINISHES¹:**

- 615** Oil-Rubbed Bronze
700 Royal Blue
705 Navy
710 Cobalt Blue
715 Delphite Blue
790 Lavender
800 Industrial Grey
805 Charcoal Granite
810 Graphite
975 Galvanized

C - SHADE ACCESSORY

- NA** None
WC Wire Cage

D - SHADE ACCESSORY FINISH

*Please Note: See **Section B** for all optional accessory finish options. If no accessory is selected in **Section C**, please select NA*

- NA** Not Applicable

E - LIGHT SOURCE

- LED11** 850 Lumen
LED16 1250 Lumen
LED27 2000 Lumen

F - COLOR TEMPERATURE

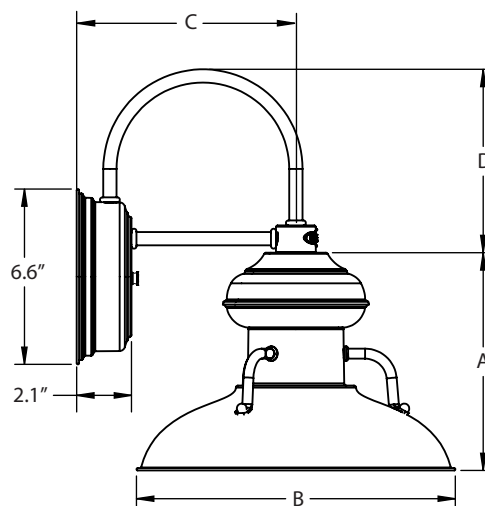
- 2700K** 2700K, Warm White
3000K 3000K, Neutral White
3500K 3500K, Bright White
4000K 4000K, Cool White

G - LED LENS

- DL** Domed Lens
FL Flat Lens

H - DUSK-TO-DAWN PHOTOCELL

- NA** None/Not Applicable
DD Dusk-to-Dawn Photocell

IMPORTANT: (1) All Powder Coat finished shades, with the exception of Galvanized, feature a white interior**MOUNTING DIMENSIONS**

SHADE CODE	HEIGHT (A)	DIAMETER (B)	PROJECTION (C)	ARM HEIGHT (D)
LAR12	8"	12"	8.3"	6.9"
LAR16	10"	16"	10.3"	8.3"

SPECIFICATIONS

CERTIFICATIONS, LISTINGS & WARRANTY

MADE IN THE USA
Manufactured and Hand-Crafted in Our 60,000 Square Foot Facility Located in Titusville, FL

CSA LISTED FOR WET LOCATIONS

LIMITED WARRANTY
For Additional Information on Our Limited Warranty, Please See Our Terms & Conditions

CONSTRUCTION & FINISH

POWDER COAT SHADE
Hand-Spun from High Purity 3003-O Temper Aluminum

GALVANIZED SHADE
Hand Spun from High Quality Galvanized Steel

POWDER COAT FINISHES
Polyester Powder Coat Finishes Are Electro-Statically Applied and Thermocured

BACKING PLATE
Hand-Spun from High Purity 3003-O Temper Aluminum or High Quality Galvanized Steel if 975 Finish is Chosen

WALL SCONCE ARM
1/4" Nominal (0.50" Actual) Brass Electroplated Steel Tubing Mounting Arm

LED LIGHT SOURCE

AVAILABLE CCT: 2700K, 3000K, 3500K, 4000K

90+ CRI

ELECTRICAL/LED DRIVER

POWER FACTOR > 0.9

EFFICIENCY: UP TO 87% TYPICAL

INPUT VOLTAGE: 120-277 VAC (SEE DIMMING SECTION)

CLASS 2 POWER SUPPLY

LED DRIVER LIFETIME: > 100,000 HOURS (@ 25 DEG C AMBIENT)

IP64 MINIMUM RATING CASE WITH SILICONE-BASED POTTING

PROTECTIONS

Output Open Load, Over-Current and Short-Circuit (Hiccup), and Over-Temperature with Auto Recovery

CONDUCTED AND RADIATED EMI

Compliant with FCC CFR Title 47 Part 15 Class B (120 VAC), Class A (277 VAC) and EN55015 (CISPR 15) at 220, 230 and 240 VAC

COMPLIANT WITH

Complies with Energy Star® DLR (DesignLight Consortium®) and CA Title 24 Technical Requirements

DIMMING

TRI-MODE DIMMING™

Compatible with TRIAC (Forward-Phase or Leading-Edge), ELV (Reverse-Phase or Trailing-Edge) and 0-10 V Dimmers

TRIAC AND ELV DIMMING ONLY AT 120 VAC

DIMMING RANGE 1-100%

The Dimming Range is Dependent on Each Specific Dimmer. May not be able to Achieve 1% Dimming with Some Dimmers

ELV DIMMING AT 230 VAC

Available by Request